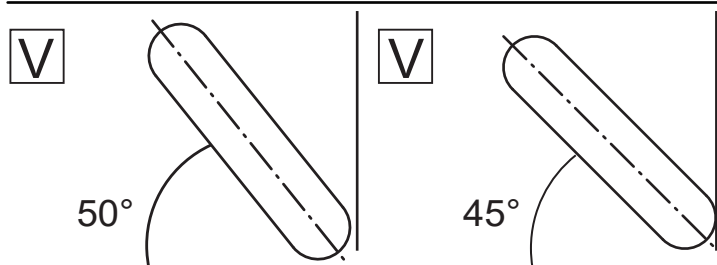
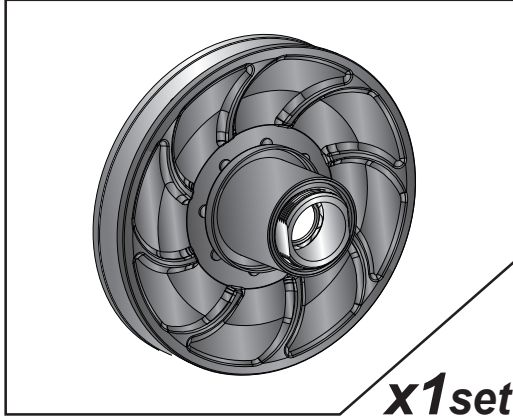


- 感謝您購買 **NCY** 產品，在此向您致上萬分謝意。使用之前，請您務必詳讀並參照安裝說明，並且正確組裝。
- Before installing, please read Installing Manual well.

■ ■ 1-1 配件-示意圖 **ACCESSORIES**

開閉盤總成 SECONDARY SLIDING SHEAVE ASSY./ BLACK 變速溝說明： / GAP EXPLANATION:



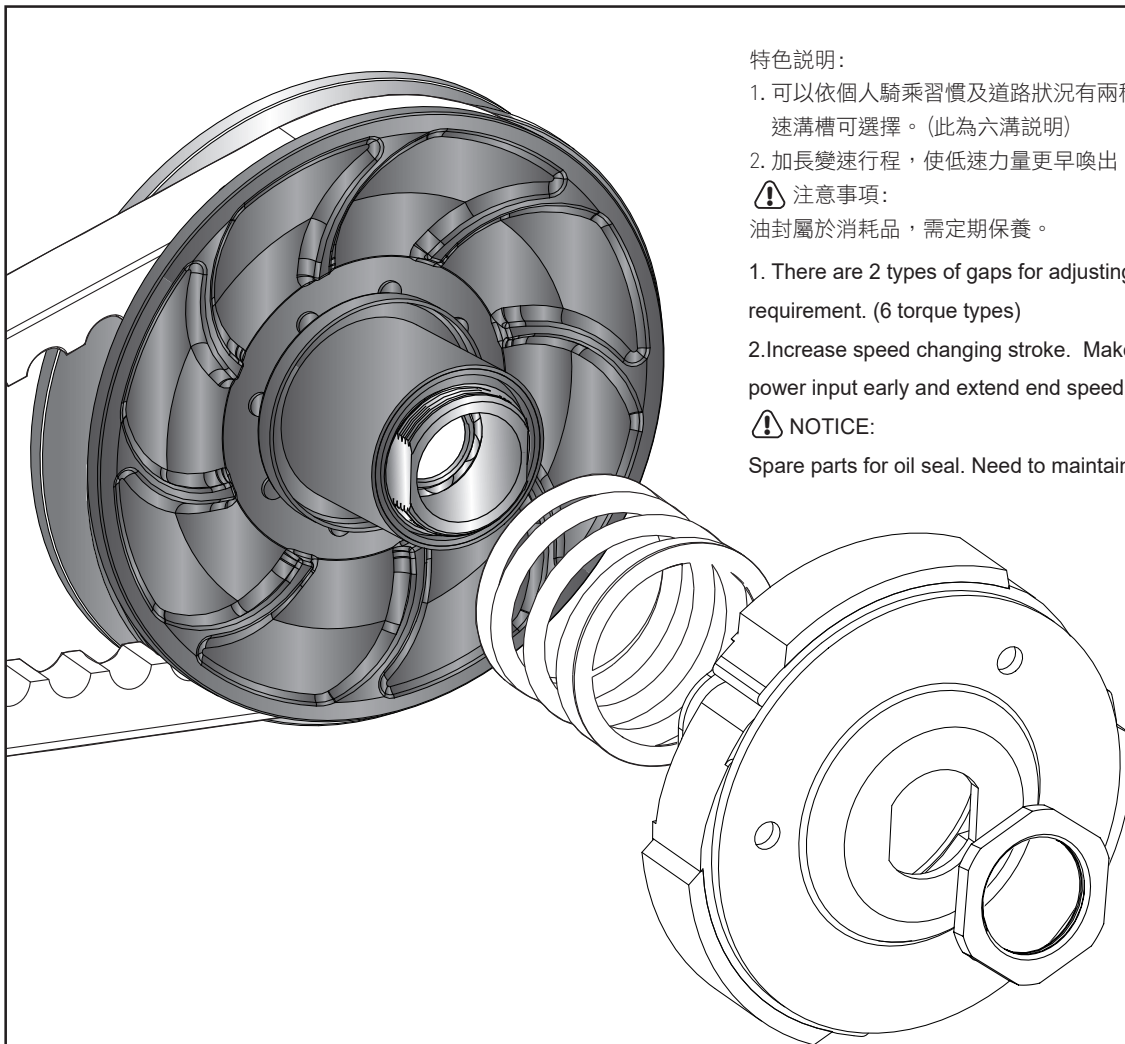
- 賽道型-轉速較高
(轉速變化線性、拉轉快)

Racing road type- high rev.
(Rev changing fast directly.)

- 街道型-轉速較低
(加速柔順、騎乘舒適)

Street road type- low rev.
(Keep accelerating smoothly
and riding comfortably.)

■ ■ 2-1 安裝說明-示意圖 **INSTALLING MANUAL**



特色說明:

1. 可以依個人騎乘習慣及道路狀況有兩種變速溝槽可選擇。(此為六溝說明)
2. 加長變速行程，使低速力量更早喚出，尾速更能延伸。

⚠ 注意事項:
油封屬於消耗品，需定期保養。

1. There are 2 types of gaps for adjusting by riders' requirement. (6 torque types)
2. Increase speed changing stroke. Make low speed power input early and extend end speed.

⚠ NOTICE:
Spare parts for oil seal. Need to maintain oil seal regularly.

