

- 感謝您購買 **NCY** 產品，在此向您至上萬分謝意。使用之前，請您務必詳讀並參照安裝說明，並且正確組裝。
- Before installing, please read Installing Manual well.

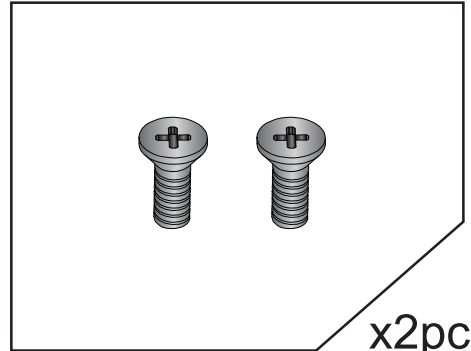
■ 1-1 配件 Accessories

油缸蓋 / GAMEPAD MASTER CYLINDER CAP



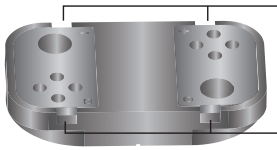
x1pc

白鐵皿頭十字螺絲 / STAINLESS BOLT



x2pc

■ 2-1 安裝說明 INSTALLING MANUAL

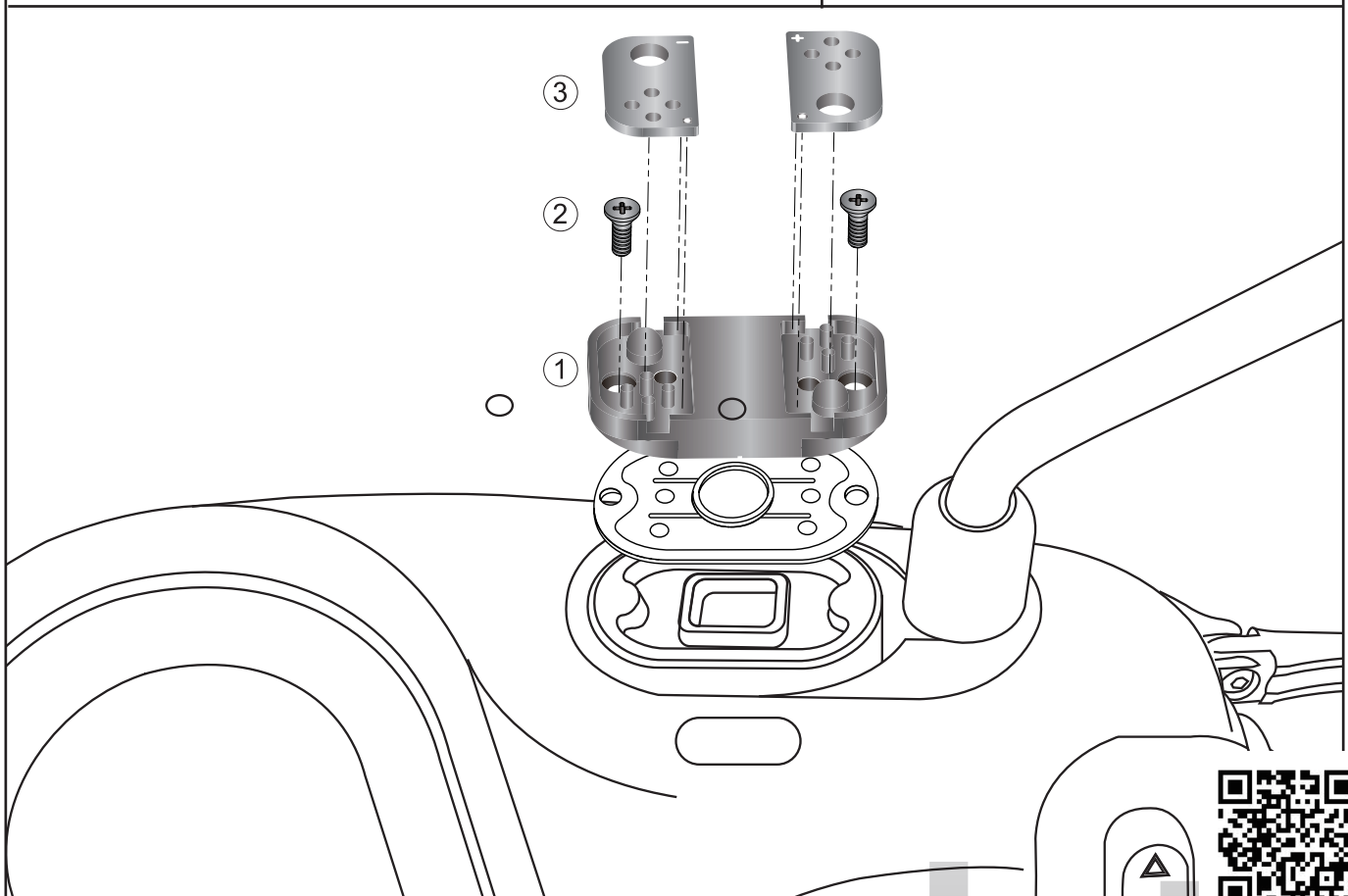


四面凹槽特性：

1. 方便使用一字起子輔助打開外蓋。
 2. 淋水排水溝槽。
- (注意！洗車時建議取下外蓋，勿強力水柱或風槍直射。)

4 concave gaps design:

1. Easy to take apart with flathead screwdriver.
 2. Gap for draining water.
- Notice: please take apart of the cover as cleaning. Don't use high pressure water or air pressure gun to clean.



- 感謝您購買 **NCY** 產品，在此向您至上萬分謝意。使用之前，請您務必詳讀並參照安裝說明，並且正確組裝。
- Before installing, please read Installing Manual well.

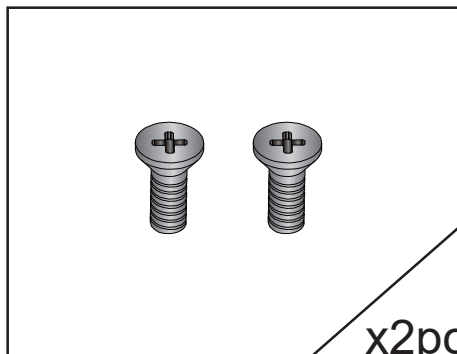
■ 1-1 配件 Accessories

油缸蓋 / GAMEPAD MASTER CYLINDER CAP




x1pc

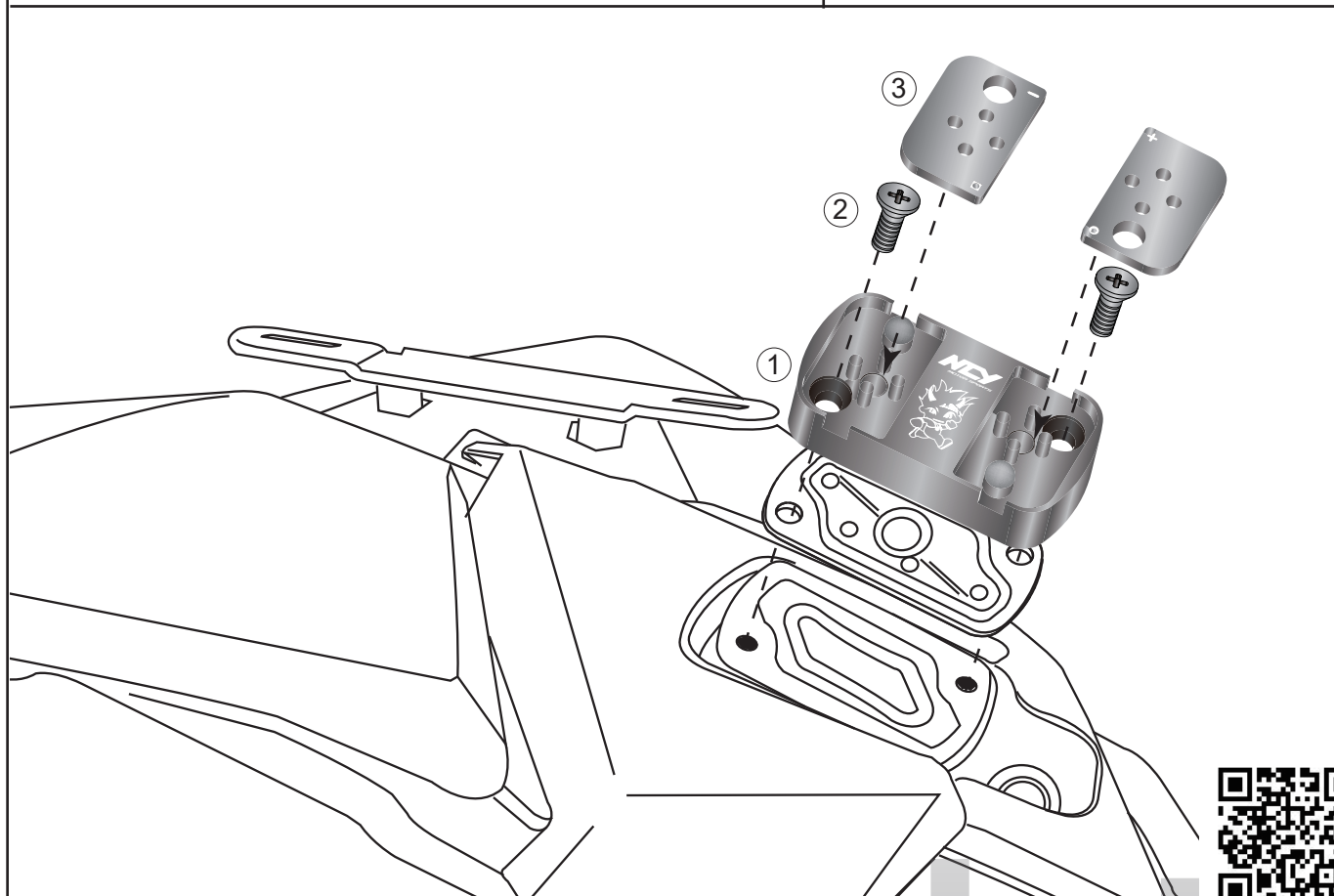
白鐵皿頭十字螺絲 / STAINLESS BOLT



x2pc

■ 2-1 安裝說明 INSTALLING MANUAL

	<p>四面凹槽特性：</p> <ol style="list-style-type: none"> 1. 方便使用一字起子輔助打開外蓋。 2. 淋水排水溝槽。 <p>(注意！洗車時建議取下外蓋，勿強力水柱或風槍直射。)</p>	<p>4 concave gaps design:</p> <ol style="list-style-type: none"> 1. Easy to take apart with flathead screwdriver. 2. Gap for draining water. <p>Notice: please take apart of the cover as cleaning. Don't use high pressure water or air pressure gun to clean.</p>
--	--	--



- 感謝您購買 **NCY** 產品，在此向您至上萬分謝意。使用之前，請您務必詳讀並參照安裝說明，並且正確組裝。
- Before installing, please read Installing Manual well.

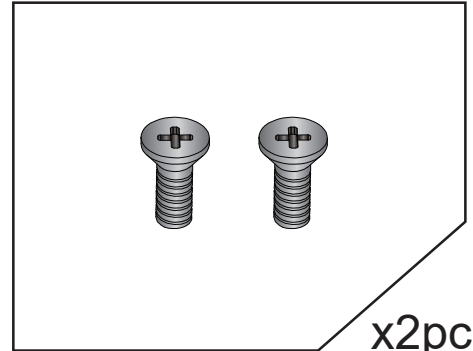
■ ■ 1-1 配件 **Accessories**

油缸蓋 / GAMEPAD MASTER CYLINDER CAP



x1pc

白鐵皿頭十字螺絲 / STAINLESS BOLT



x2pc

■ ■ 2-1 安裝說明 **INSTALLING MANUAL**

	<p>四面凹槽特性：</p> <ol style="list-style-type: none"> 1. 方便使用一字起子輔助打開外蓋。 2. 淋水排水溝槽。 <p>(注意！洗車時建議取下外蓋，勿強力水柱或風槍直射。)</p>	<p>4 concave gaps design:</p> <ol style="list-style-type: none"> 1. Easy to take apart with flathead screwdriver. 2. Gap for draining water. <p>Notice: please take apart of the cover as cleaning. Don't use high pressure water or air pressure gun to clean.</p>
--	--	--

