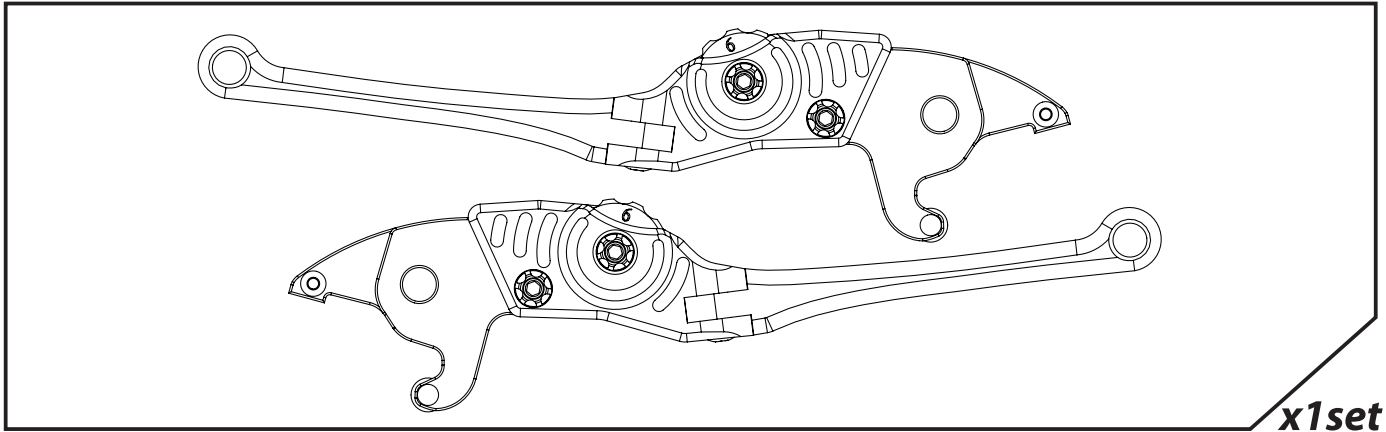


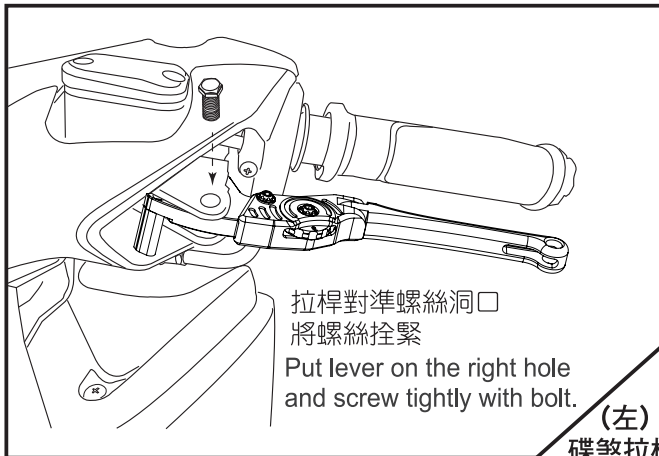
- 感謝您購買 **NCY** 產品，在此向您至萬分謝意。使用之前，請您務必詳讀並參照安裝說明，並且正確組裝。
- Before installing, please read Installing Manual well.

■ ■ 1-1 配件 ACCESSORIES

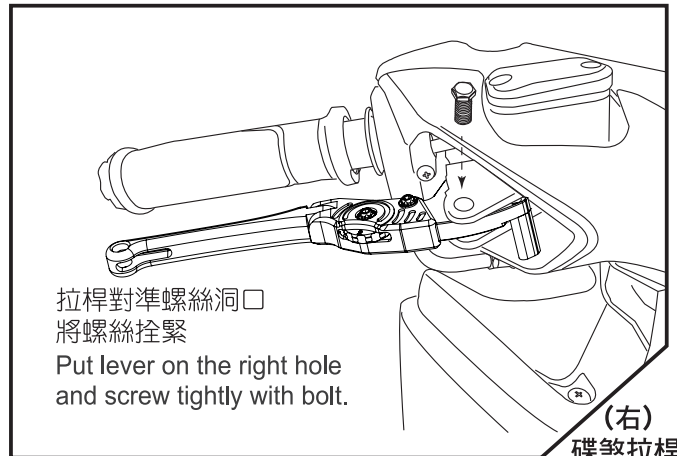


x1set

■ ■ 2-1 安裝說明 INSTALLING MANUAL



Left: disk lever

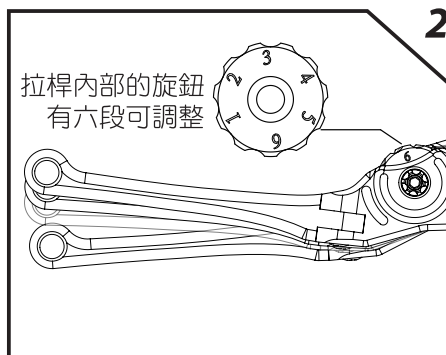


Right: disk lever

■ ■ 3-1 特色說明 FEATURES :



Foldable design to prevent from lever getting broken as scooter falling down.



6 sections knob adjustable with personal desire.



Bearing design to make brake smoothly & accurately.

