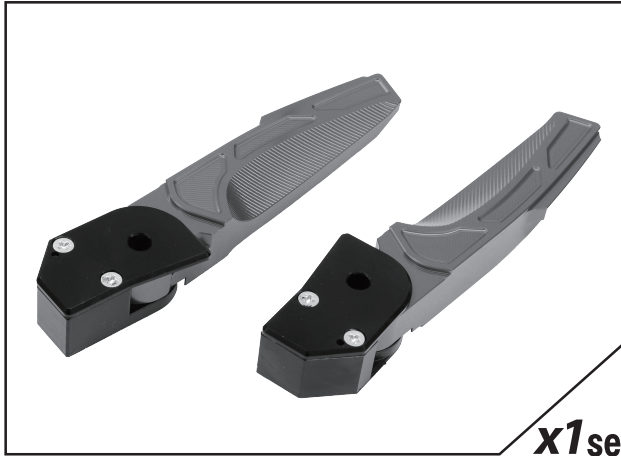


- 感謝您購買 **NCY** 產品，在此向您至上萬分謝意。使用之前，請您務必詳讀並參照安裝說明，並且正確組裝。
- Before installing, please read Installing Manual well.

■ ■ **1-1 配件: ACCESSORIES :**



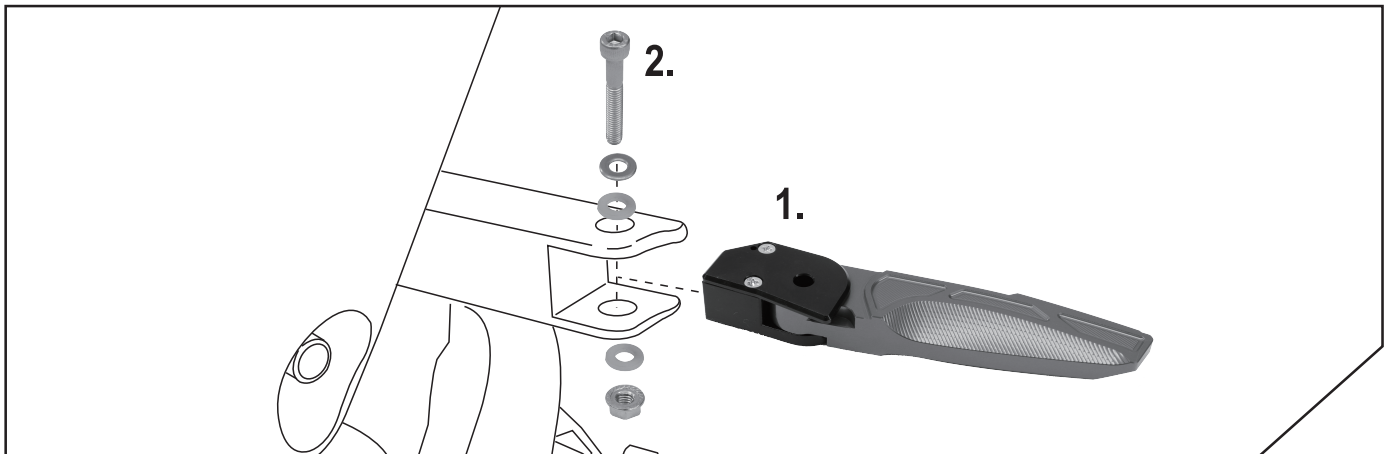
X1set

1. 將腳踏桿對準主支架上下孔。
2. 將螺絲插軸對準腳踏桿孔插入，螺絲墊片依圖2順序鎖附腳踏桿。

1. Put footrest rod on the right hole of bracket
2. Put bolts, washer and footrest rod by order as photo NO.2 and screw on well.

■ ■ **2-1 產品組裝說明: INSTALLING MANUAL :**

左右安裝方式相同 Same way to left and right



■ ■ **3-1 特色說明: FEATURES :**

