

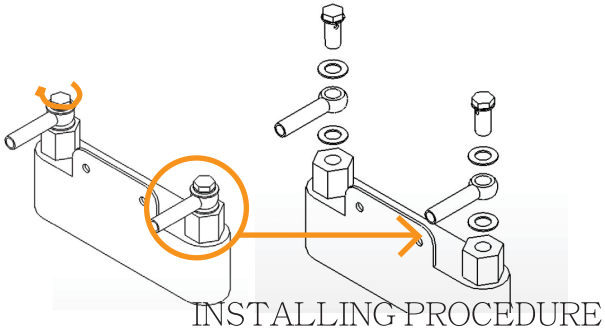


# MONKEY OIL COLER INSTRUCTION MANUAL



## INSTALLING STEPS :

### 1. INSTALL OIL COOLER



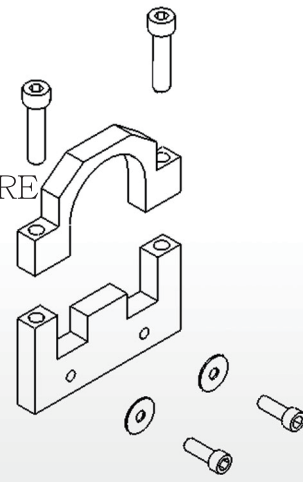
- 1-1: TIGHTEN OIL COOLER GUIDE TUBE
- 2. USE BRACKET TO FIX OIL COOLER



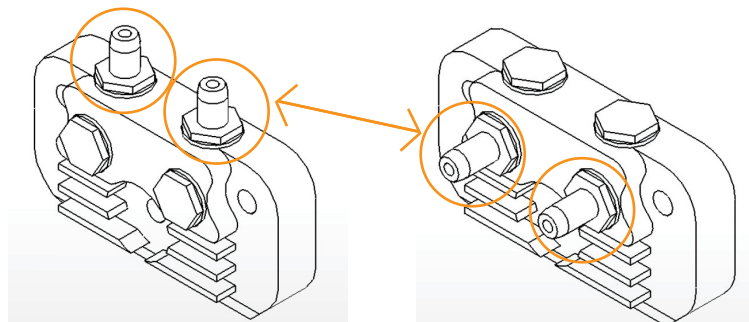
1-2: SUGGEST OIL COOLER INSTALLING PLACE



INSTALLING PROCEDURE



### 3. TAKE OFF ORIGINAL CYLINDER HEAD COVER; INSTALL NCY CYLINDER HEAD COVER

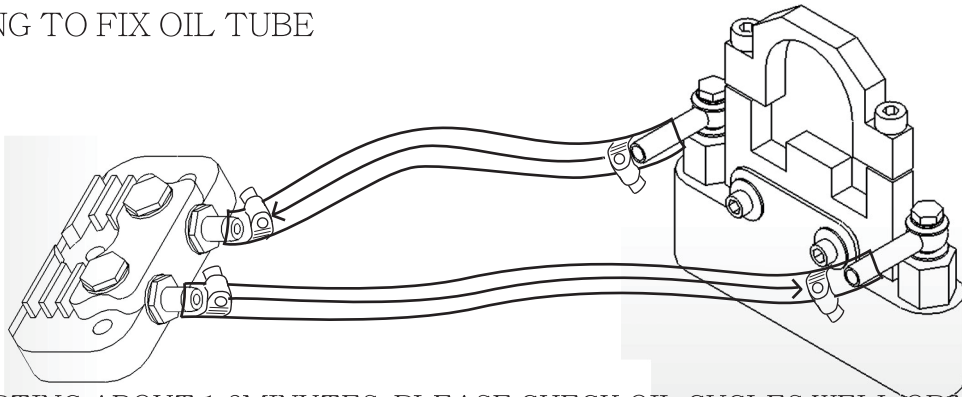


### 4. MEASURE & CUT OIL TUBE

### 5. INSTALL OIL TUBE

5-1: DON' T TOUCH FRONT EXHAUST PIPE AS INSTALLING OIL TUBE

5-2: USE RING TO FIX OIL TUBE



## ATTENTION:

- 1. AS SCOOTER STARTING ABOUT 1-3MINUTES, PLEASE CHECK OIL CYCLES WELL OR NOT. MEASURE TEMPERATURE OF OIL COOLER INCREASE OR NOT.
- 2. ENGINE OIL CAPACITY IS ABOUT 50-100CC. AS YOU ADD ENGINE OIL, PLEASE CHECK ENGINE OIL UP TO THE STANDARD PLACE OR NOT. IF NOT, PLEASE ADD ENGINE OIL UP TO THE STANDARD PLACE
- 3. AS YOU CHANGE ENGINE OIL IN THE FUTURE, PLEASE ADD IT UP TO THE STANDARD PLACE ON OIL LEVEL GAUGE.