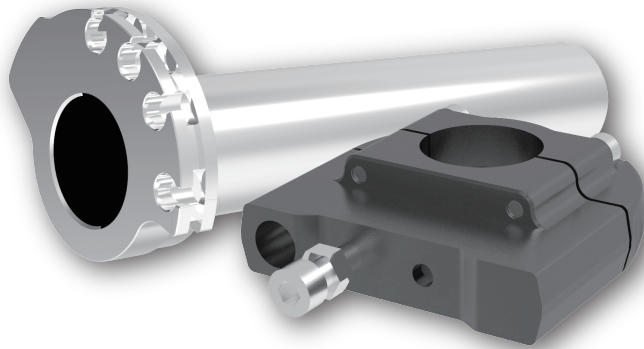


- 感謝您購買 **NCY** 產品，在此向您致上萬分謝意。使用之前，請您務必詳讀並參照安裝說明，並且正確組裝。
- Before installing, please read Installing Manual well.

■ ■ 1-1 配件 Accessories

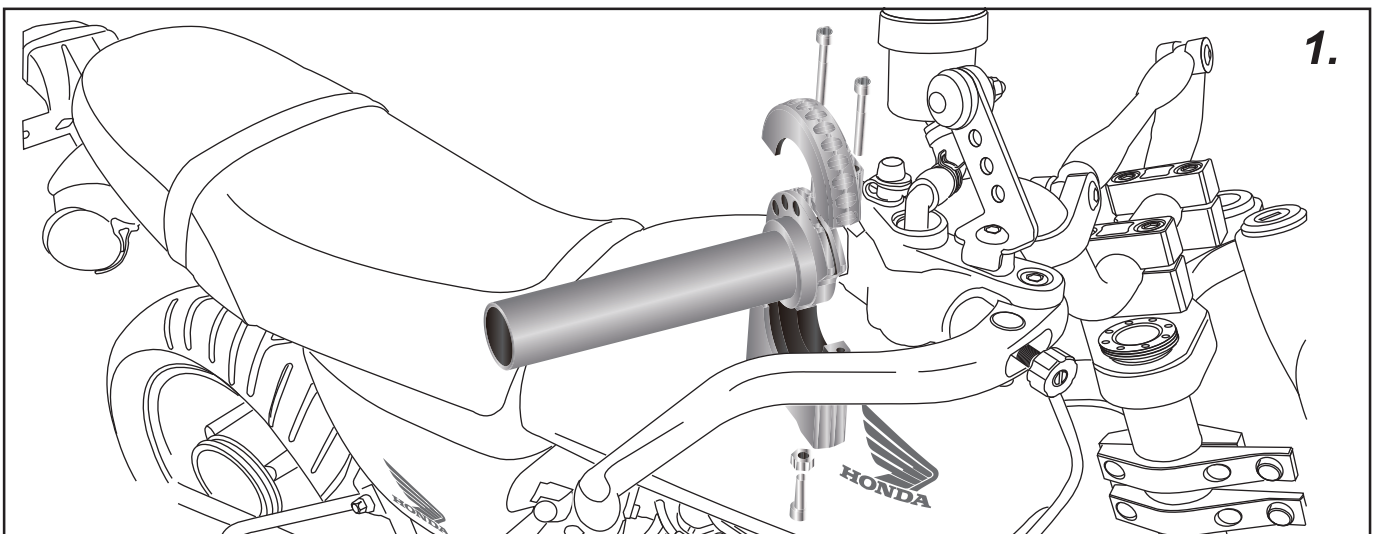
1 凸輪式加油座

GAM TYPE ALUMINUM ACCELERATOR POST



x1Set

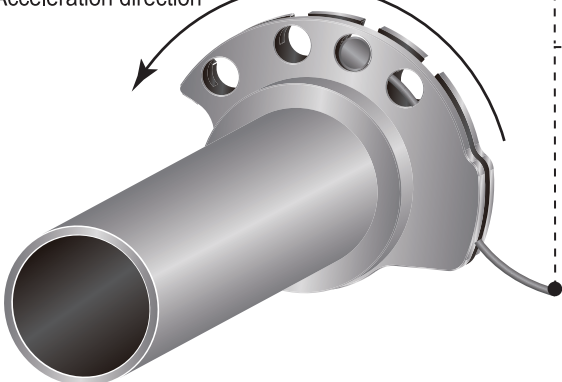
■ ■ 1-2 產品組裝 示意圖 Installing Manual



2.

油門加速方向
Acceleration direction

孔位依不同車種安裝於適當位置
Install it properly according to the hold position by different models.



3.

1. 油門線先旋入一半至下座中
1. Screw half of cable thread to the accelerator post.
2. 原廠螺帽隨後鎖緊
2. Screw original nut tightly.

