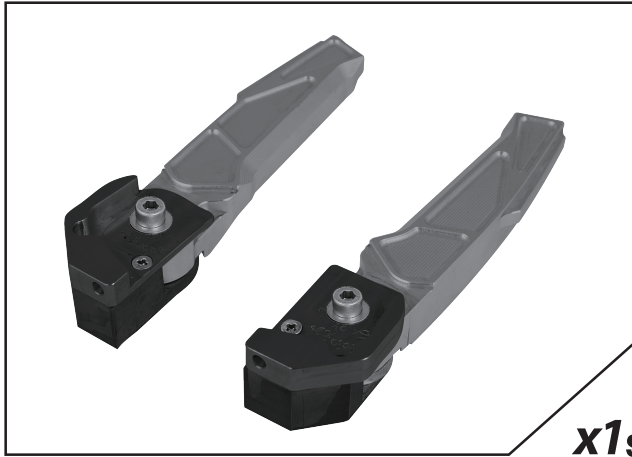


- 感謝您購買 **NCY** 產品，在此向您至萬分謝意。使用之前，請您務必詳讀並參照安裝說明，並且正確組裝。
- Before installing, please read Installing Manual well.

■ 1-1 配件: ACCESSORIES :



x1set

■ 2-1 特色說明: FEATURES :

左右安裝方式相同

Same installing way to left and right

Y15ZR 安裝注意事項

Installing attention for Y15ZR



⚠ 注意!!

腳踏桿螺絲孔位置與原廠孔位未能完全置中，放入螺絲需輕微敲打栓入。
(只對應Y15ZR車款)

⚠ Notice!!

For Y15ZR, as installing, you find the screw hole is not very centre, please use hammer to hit screw slightly and lock well.



x2set

⚠ 注意!!

此螺絲墊片必須NCY附內的規格才可適用。
(只對應Y15ZR車款)

⚠ Notice!!

For Y15ZR, please must install screw and spacer together.

