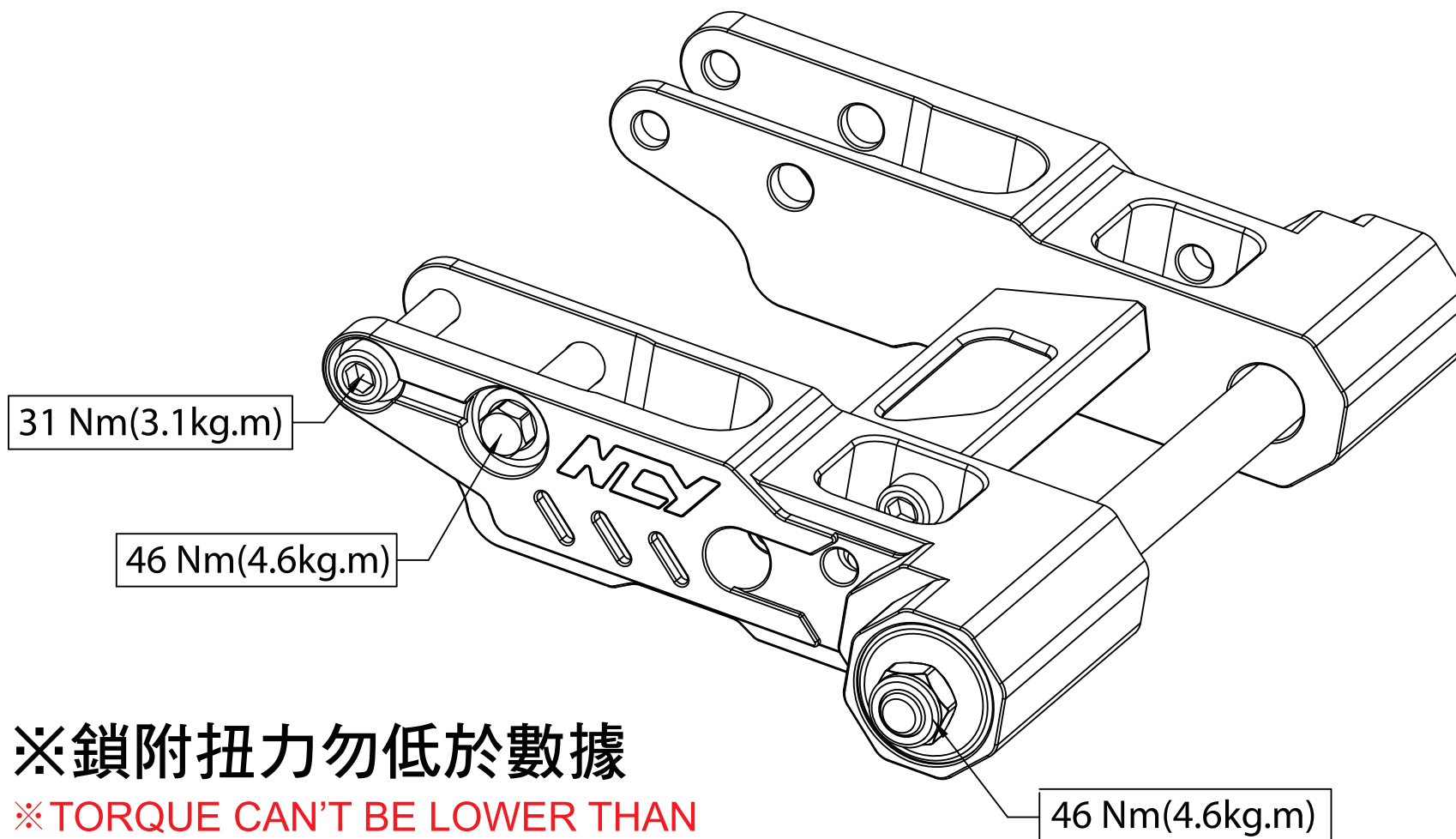




# CUXI 115 引擎吊座安裝螺絲鎖附扭力數據

## SCREW TORQUE WRENCH DATA FOR ENGINE SUPPORTER BRACKET FOR CUXI 115



※鎖附扭力勿低於數據

※TORQUE CAN'T BE LOWER THAN  
DATA ABOVE.