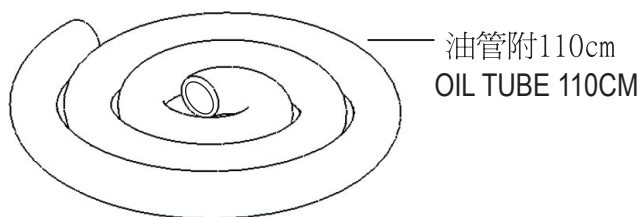
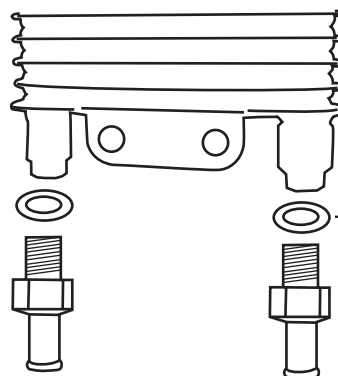


配件諸元表

OIL COOLER PARTS LIST



油管附110cm
OIL TUBE 110CM



油冷排
OIL COOLER

12x1.3銅墊片
COPPER GASKET 12*1.3

油冷排導流管
OIL COOLER GUIDE TUBE

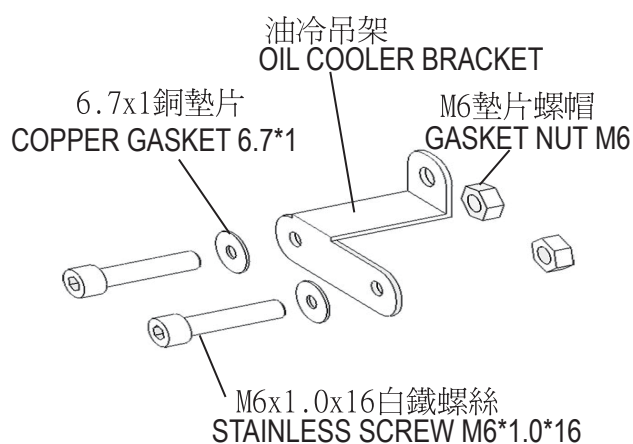
濾油側蓋螺絲
FILTER SIDE COVER SCREW

濾油網 FILTER NET

12x1.3銅墊片
COPPER GASKET
12*1.3

濾油側蓋
FILTER SIDE COVER

濾油網阻隔蓋
SEPERATED COVER
FOR FILTER NET



油冷吊架
OIL COOLER BRACKET

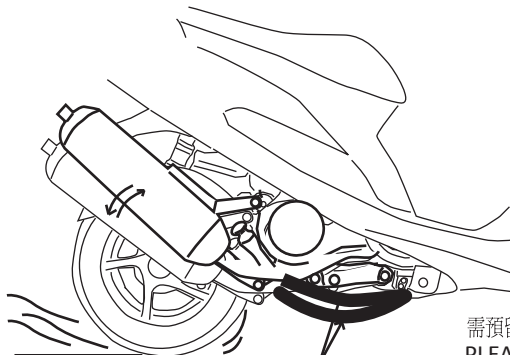
6.7x1銅墊片
COPPER GASKET 6.7*1

M6墊片螺帽
GASKET NUT M6

M6x1.0x16白鐵螺絲
STAINLESS SCREW M6*1.0*16

注意事項 NOTICE

1. 剪裁油管時需注意預留長度如圖示
AS CUTTING OIL TUBE, PLEASE RESERVE LONGER TUBE AS FOLLOWING PHOTO.



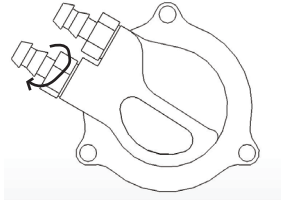
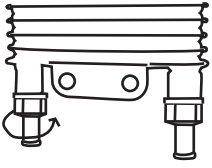
導油管 OIL TUBE

需預留導管長度，切記導管不能固定，以防引擎吊座晃動時，油管因拉扯而斷裂
PLEASE RESERVE LONGER TUBE AND CAN'T FIX IT ON SCOOTER BODY.
AS RIDING SCOOTER, SCOOTER BODY WILL MAKE OIL TUBE RELEASE OR BROKEN.

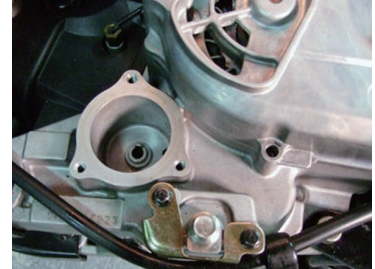
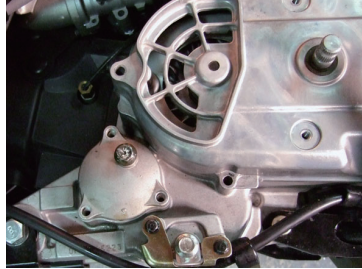
2. 建議原廠黑色O型環在安裝之前抹點黃油潤滑
BEFORE STICKING ORIGINAL BLACK RUBBER RING, YOU HAVE TO ADD SOME LUBRICATING OIL.
3. 本產品設計油管接合位置免用束環，安裝時可以塗抹一些機油，以方便安裝(油管要確實置入最底端)
AS INSTALLING OIL TUBE, YOU CAN ISNTALL IT DIRECTLY WITHOUT RING. PLEASE ADD SOME OIL TO MAKE INSTALL EASILY. (PLEASE COFIRM OIL TUBE INSTALLED INTO THE END.)
4. 檢查啓動車輛時，油路是否正常循環檢查方式
START ENIGNE TO CHECK OIL CYCLING WELL OR NOT.
5. 本產品機油量容積約100-110cc，加入機油時，請檢查機油尺油量，是否到達標準值，若無請自行添加
ENGINE OIL CAPACITY FOR THIS PRODUCT IS ABOUT 100-110CC. AS YOU ADD ENGINE OIL, PLEASE CHECK OIL LEVEL GAUGE WHETHER IT GETS TO THE STANDARD PLACE. IF NOT, PLEASE ADDENGINE OIL BY SITUATION.
6. 往後更換機油時，需以機油尺上的標準值為準
AS CHAGING ENGINE OIL IN THE FUTURE, PLEASE CHECK STANDARD ON LEVEL GAUGE.
7. 當車子每行駛5000公里後，建議更換濾油網，若需購買濾油網，可向NCY購買
AS DRIVING SCOOTER OVER 5000KM, WE SUGGEST YOU CHANGE FILTER NET WHICH YOU CAN BUY FROM NCY.

V125油冷排說明書

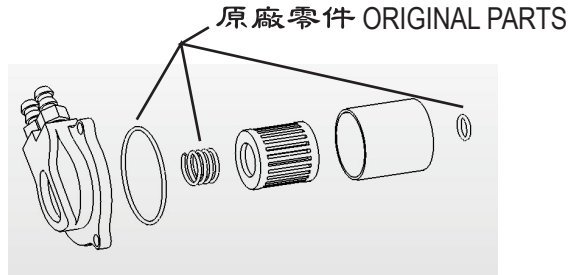
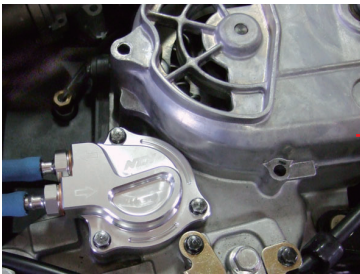
OIL COOLER INSTRUCTION MANUAL



1. 先檢查油冷排螺絲及濾油側蓋螺絲是否鎖緊
PLEASE CHECK OIL COOLER SCREW AND FILTER SIDE COVER SCREW SCREWED ON OR NOT



2. 將車子側躺(怕機油側漏)將原廠濾油側蓋打開
PLEASE MAKE SCOOTER LIE DOWN AND TAKE OFF ORIGINAL FILTER SIDE COVER

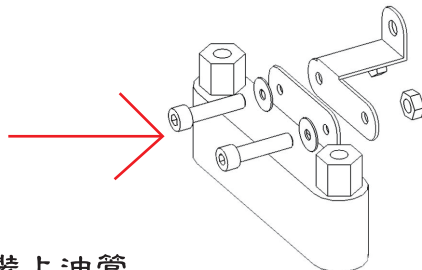


3. 依序將NCY配件裝上並裝上油管
INSTALL NCY ACCESSORIES IN ORDER AND THEN INSTAL OIL TUBE



5. 將油冷排吊座安裝在腳踏板及車身之架中間並用原廠螺絲鎖緊
INSTALL OIL COOLER BRACKET BETWEEN FOOTREST BOARD AND SCOOTER BODY AND THEN SCREW IT WITH ORIGINAL SCREW

4. 將腳踏板螺絲拆開
TAKE APART FOOTREST BOARD SCREW



6. 將油冷排依序安裝並裝上油管
INSTALL OIL TUBE IN ORDER INTO OIL COOLER



7. 建議在油冷排前方開一個孔以便通風用
SUGGEST TO DIG ONE HOLE IN FRONT OF OIL COOLER TO MAKE IT AIR WELL



8. 安裝完成
FINISH